



## Q 1 1 F - 1 6 - 3 R E G U L A T O R

### MANUAL BALL VALVE 3PC

#### VALVE DESCRIPTION AND OPERATION

---

Ball Valve is a variety of valve which its opening and closing parts are driven by the valve stem and rotate around the valve axis. Ball valve in the pipeline can flexibly control the mixing or diverting of the media and change the direction of the media flow, it also can close any passageway and let the other two passageways be connected together. It has strong shearing force and it is most suitable for the media with fiber or tiny solid particles. Ball valve is widely used in petroleum refining, long-distance pipelines, chemical, paper, pharmaceuticals, water conservancy, power, municipal, steel and other industries. YUANFENG can produce the following types of ball valves:

1. Manual Ball

1PC ball valve/2PC ball valve/3PC ball valve

2. Pneumatic Ball Valve (Please visit our ZSHO and ZSQR regulator)

3. Electric Ball (Please visit our ZAJO and ZDQR regulator)

According to different working conditions, there are different types of connections as flange, thread or welding etc. and the valve body can be made of Stainless Steel, Brass, Bronze, WCB etc.

#### Manual Ball Valve 3PC

Its structure is similar to the 2PC ball valve, but 3PC ball valve has an additional valve body in the middle of the sphere clamped by neck flanges, normally, it has all the functions of the ball valve, especially, it also has the following advantages:

1. Small fluid resistance, its resistance is nearly equal to the same length pipeline;
2. Simple structure, small body, light weight, less material and low cost;
3. Perfect and reliable sealing;
4. Easy operation, quick opening or closing;
5. Installation and maintenance is convenient;





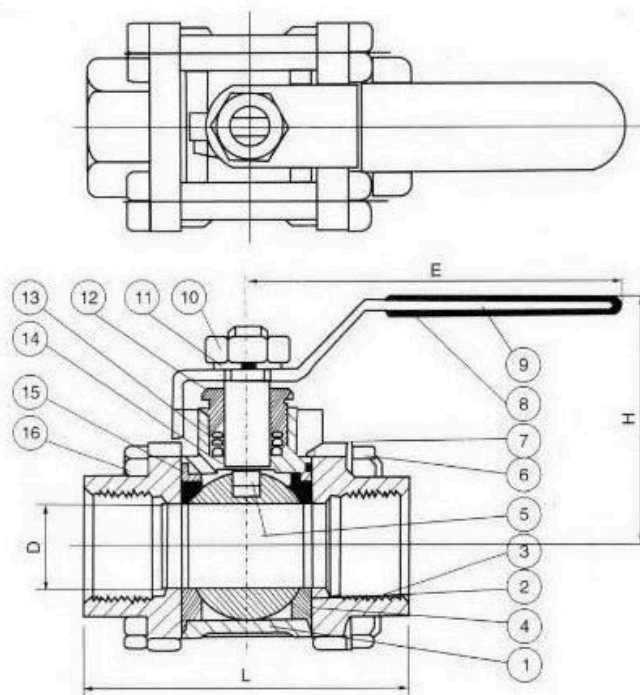
6.The ball and the sealing surface of the seat is isolated from the media when full opening or closing.so less corrosion and long life;

7.Large application range,for wide range size from few millimeter to meter,and high vacuum and high pressure condition.

8.It is specially suitable for huge pressure working conditions

Our valve is designed and manufactured according to the standard of AMSE/API/BS/DIN/GB.and all production process are under the control of our quality management system ISO9001:2008

#### VALVE MATERIAL





NO.	PARTS	MATERIAL	
		Stainless Steel	Carbon Steel
1	Body	CF8M	WCB
2	Joint Ring	PTFE	PTFE
3	Cap	CF8M	WCB
4	Ball	SS316	SS304
5	Stem	SS316	SS316
6	Nut	SS04	FCD45
7	Washer	SS04	FCD45
8	Handle Cover	Plastic	Plastic
9	Handle	SS304	SS304
10	Stem Nut	SS304	B7
11	Stem Washer	SS304	SS304
12	Gland Nut	SS304	FCD45
13	Stem Packing	PTFE	PTFE
14	Thrust Washer	PTFE	PTFE
15	Joint Gasket	PTFE	PTFE
16	Bolt	SS304	B8

#### OVERALL DIMENSIONS

Units: mm

Size	1/4"	3/8"	1/2"	3/4"	1"	1 1/4"	1 1/2"	2"	2 1/2"	3"	4"
D	11.6	12.7	15	20	25	32	38	50	65	80	100
L	68	68	72	85	90	112	120	145	185	210	268
H	100	100	130	130	165	165	190	190	230	250	280
E	100	100	130	130	165	165	190	190	250	250	280
WT (g)	400	405	640	890	1160	2195	2940	4865	7000	10700	19350