



Q 1 1 F-1 6-2 REGULATOR

MANUAL BALL VALVE 2PC

VALVE DESCRIPTION AND OPERATION

Ball Valve is a variety of valve which its opening and closing parts are driven by the valve stem and rotate around the valve axis. Ball valve in the pipeline can flexibly control the mixing or diverting of the media and change the direction of the media flow, it also can close any passageway and let the other two passageways be connected together. It has strong shearing force and it is most suitable for the media with fiber or tiny solid particles. Ball valve is widely used in petroleum refining, long-distance pipelines, chemical, paper, pharmaceuticals, water conservancy, power, municipal, steel and other industries. YUANFENG can produce the following types of ball valves:

1. Manual Ball

1PC ball valve/2PC ball valve/3PC ball valve

2. Pneumatic Ball Valve (Please visit our ZSHO and ZSQR regulator)

3. Electric Ball (Please visit our ZAJO and ZDQR regulator)

According to different working conditions, there are different types of connections as flange, thread or welding etc. and the valve body can be made of Stainless Steel, Brass, Bronze, WCB etc.

Manual Ball Valve 2PC

The difference between 1PC ball valve and 2PC ball valve, the sphere of 1PC ball valve is fixed by one plug, but the sphere of 2PC ball valve is sandwiched by two parts of valve body, normally, it has all the function of the ball valve, especially, it also has the following advantages:

1. Without friction when opening or closing, this feature solves the sealing problem affected by the friction between the sealing surface;

2. Upwards installation, valve installed in the pipeline can be inspected and maintained directly without stopping the operating system;

3. Single-seat design, it avoids the safety problem affected by the unforeseen pressure increasing and reliable sealing;



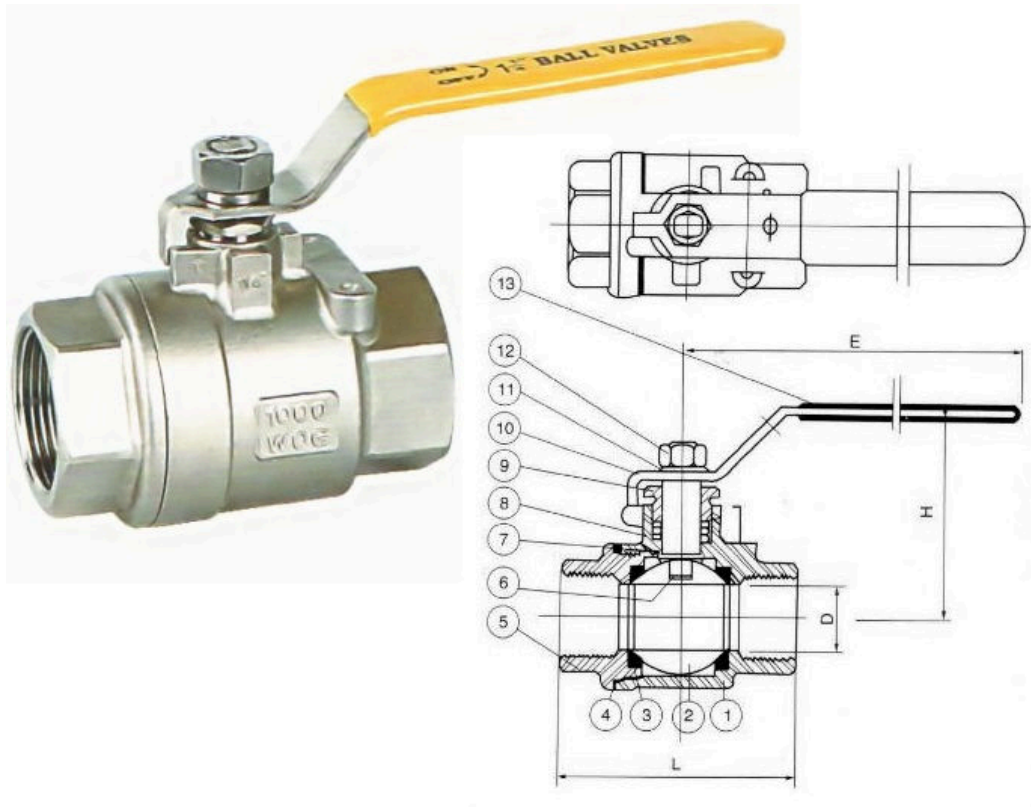


4.Low torque design. Special structural design of the stem, it can be easily opened or closed,so Easy operation,quick opening or closing;
5.Wedge sealing structure,mechanical force provided by the valve stem to put the sphere to the seat and let it sealed,the sealing is perfect and reliable in various of working conditions;
6.Self-cleaning structure. When the sphere being away from the seat tilt, fluid in pipeline goes along the sealing surface of a sphere uniformly through 360 °, it not only eliminates the valve

seat erosion caused by the high velocity fluid , but also washes away the accumulations on the sealing surface to achieve the purpose of self-cleaning .

Our valve is designed and manufactured according to the standard of AMSE/API/BS/DIN/GB.and all production process are under the control of our quality management system ISO9001:2008

VALVE MATERIAL





富 阳 市 源 丰 阀 业 有 限 公 司
YUANFENG VALVE INDUSTRIAL CO.,LTD.

NO.	PARTS	MATERIAL	
		Stainless Steel	Carbon Steel
1	Body	CF8M	WCB
2	Ball	SS316	SS304
3	Joint Ring	PTFE	PTFE
4	Joint Gasket	PTFE	PTFE
5	Cap	CF8M	WCB
6	Stem	SS316	SS304
7	Thrust Washer	PTFE	PTFE
8	Stem Packing	PTFE	PTFE
9	Gland Nut	SS304	SS304
10	Handle	SS304	SS304
11	Washer	SS304	SS304
12	Stem Nut	SS304	SS304
13	Handle Cover	Plastic	Plastic

OVERALL DIMENSIONS

Units: mm

Size	1/4"	3/8"	1/2"	3/4"	1"	1 1/4"	1 1/2"	2"	2 1/2"	3"	4"
D	11.6	12.7	15	20	25	32	38	50	65	80	100
L	55	55	65	75	88	102	110	125	162	189	260
H	50	50	60	64	71	78	86	95	130	148	180
E	100	100	130	130	165	165	190	190	250	250	280
WT (g)	225	225	390	502	850	1502	2020	3625	4700	7700	14850

T e l: +086-0571-63417985 F a x: +086-0571-63417779 Web.Site: yuanfengvalves.en.alibaba.com
E - Mail: yuanfengvalve@outlook.com jingxiao@fy.hz.zj.cn
Adress: Dashuxia, Shouxiang Village, Shouxiang Town, Hangzhou City, Fuyang City, Zhejiang, P.R China.