



Q11F-16-1 REGULATOR

MANUAL BALL VALVE 1PC

VALVE DESCRIPTION AND OPERATION

Ball Valve is a variety of valve which its opening and closing parts are driven by the valve stem and rotate around the valve axis. Ball valve in the pipeline can flexibly control the mixing or diverting of the media and change the direction of the media flow, it also can close any passageway and let the other two passageways be connected together. It has strong shearing force and it is most suitable for the media with fiber or tiny solid particles. Ball valve is widely used in petroleum refining, long-distance pipelines, chemical, paper, pharmaceuticals, water conservancy, power, municipal, steel and other industries. YUANFENG can produce the following types of ball valves:

1. Manual Ball

1PC ball valve/2PC ball valve/3PC ball valve

2. Pneumatic Ball Valve (Please visit our ZSHO and ZSQR regulator)

3. Electric Ball (Please visit our ZAJO and ZDQR regulator)

According to different working conditions, there are different types of connections as flange, thread or welding etc. and the valve body can be made of Stainless Steel, Brass, Bronze, WCB etc.

Manual Ball Valve 1PC

Manual Ball Valve 1PC with single seat body, and the sphere is fixed by one plug, normally, it has all the function of the ball valve, especially, it also has the following advantages:

1. Small fluid resistance, its

resistance is nearly equal to the same length pipeline;

2. Simple structure, small body, light weight, less material and low cost;

3. Perfect and reliable sealing;

4. Easy operation, quick opening or closing;

5. Installation and maintenance is convenient;

6. The ball and the sealing surface of

the seat is isolated from the media when full opening or closing, so less corrosion and long life;

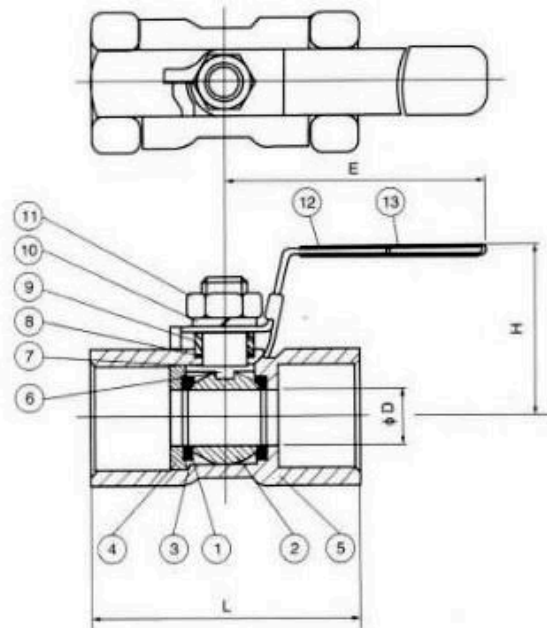




7.Large application range,for wide range size from few millimeter to meter,and high vacuum and high pressure condition.

Our valve is designed and manufactured according to the standard of AMSE/API/BS/DIN/GB.and all production process are under the control of our quality management system ISO9001:2008

VALVE MATERIAL



no	PARTS	MATERIAL
1	Joint Ring	PTFE
2	Ball	SS316
3	Joint Gasket	PTFE
4	Cap	SS316
5	Body	CF8M



富 阳 市 源 丰 阀 业 有 限 公 司
YUANFENG VALVE INDUSTRIAL CO.,LTD.

6	Stem	SS316
7	Thrust Washer	PTFE
8	Stem Packing	PTFE
9	Gland Nut	SS304
10	Washer	SS304
11	Stem Nut	SS304
12	Handle Cover	Plastic
13	Handle	SS304

OVERALL DIMENSIONS

Units: mm

Size	1/4"	3/8"	1/2"	3/4"	1"	1 1/4"	1 1/2"	2"
D	5.0	7.0	9.2	12.5	15.0	20.0	24.5	32
L	40	45	58	60	72	78	83	100
H	35	37	43.5	47	50	57	69	74.5
E	64	70	90	90	103	103	127	127
WT(g)	55	95	165	250	405	625	850	1400

T e l: +086-0571-63417985 F a x: +086-0571-63417779 Web.Site: yuanfengvalves.en.alibaba.com
E - Mail: yuanfengvalve@outlook.com jingxiao@fy.hz.zj.cn
Adress: Dashuxia, Shouxiang Village, Shouxiang Town, Hangzhou City, Fuyang City, Zhejiang, P.R China.